

Submittal Data Sheet

**Project
Information**

Project Number _____ Approval _____

Features

- 0-300 psi pressure gauge 2” diameter easy to read single scale
- Self-relieving pressure regulator – delivers up to 250 psi
- High flow rate (see table)
- Fast, easy to repair front loaded DISS 1120 outlet (patented Frontall™ cartridge design)
- Durable, flexible, replaceable tubing
- Durable, corrosion resistant, easy to clean stainless steel panel



Specifications

All nitrogen control panels shall be Tri-Tech Medical, Inc. 88-0687 Nitrogen Control Panel and must be installed and tested in strict accordance with NFPA 99 standards and or other local codes before use.

The nitrogen control panel shall include a high flow self-relieving pressure regulator capable of adjusting pressures up to 250 psig.

A 0-300 psi 2” diameter pressure gauge shall be provided to monitor outlet pressure.

The panel shall also include a front loaded CGA DISS 1120 nitrogen outlet.

88-0687
(Miniature Nitrogen Control Panel Shown)

The nitrogen control panel shall be factory assembled and 100% tested.

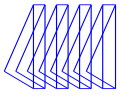
All components shall be panel mounted on a stainless steel, silk screened cover plate.

The nitrogen control panel shall comply with NFPA – National Fire Protection Association Pamphlet 99 “Health Care Facilities”

CGA – Compressed Gas Association Pamphlet V-5 “Diameter Indexed Safety System”.

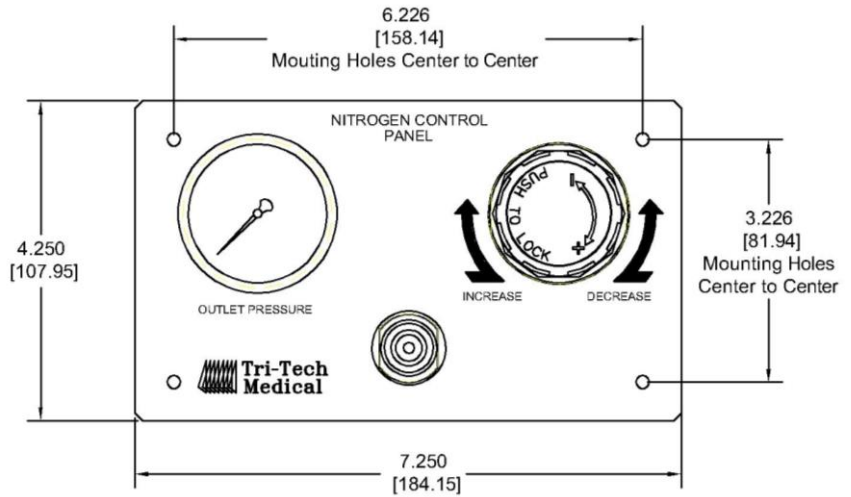
Flow

Inlet PSIG	Delivery PSIG	Flow SCFH	Outlet PSIG Drop
200	160	1,450	20
180	160	1,250	20



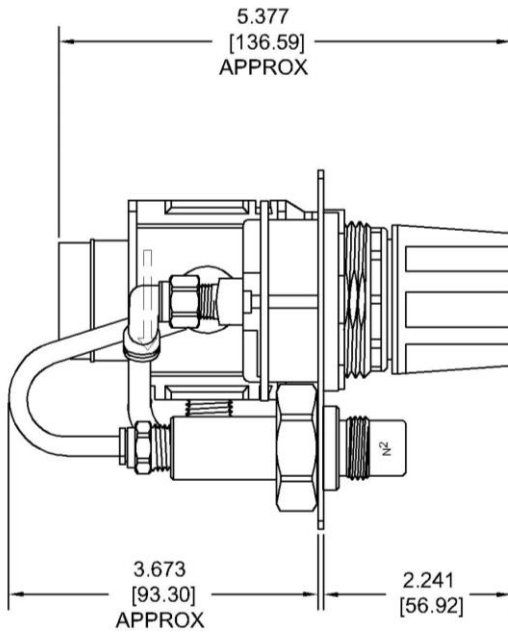
Layout

Dimensions: inches (mm)

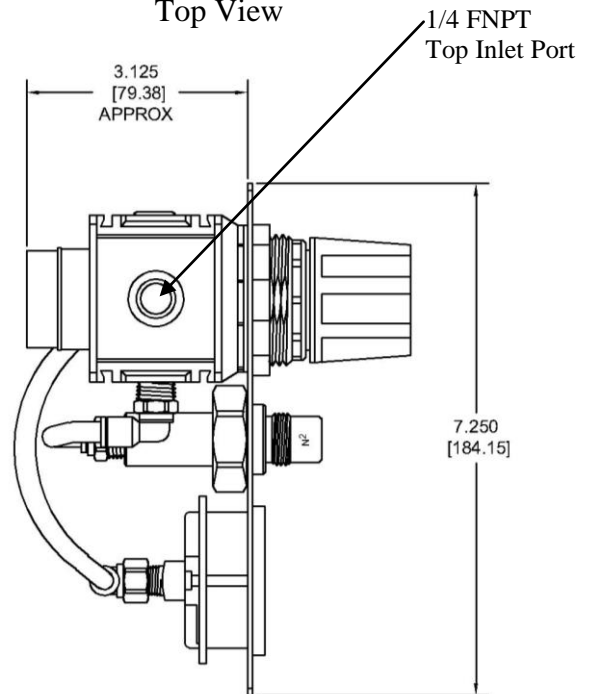


Front View

Side View



Top View



Ordering Information

Part #	Description
88-0687	Nitrogen Control Panel (Miniature Model)