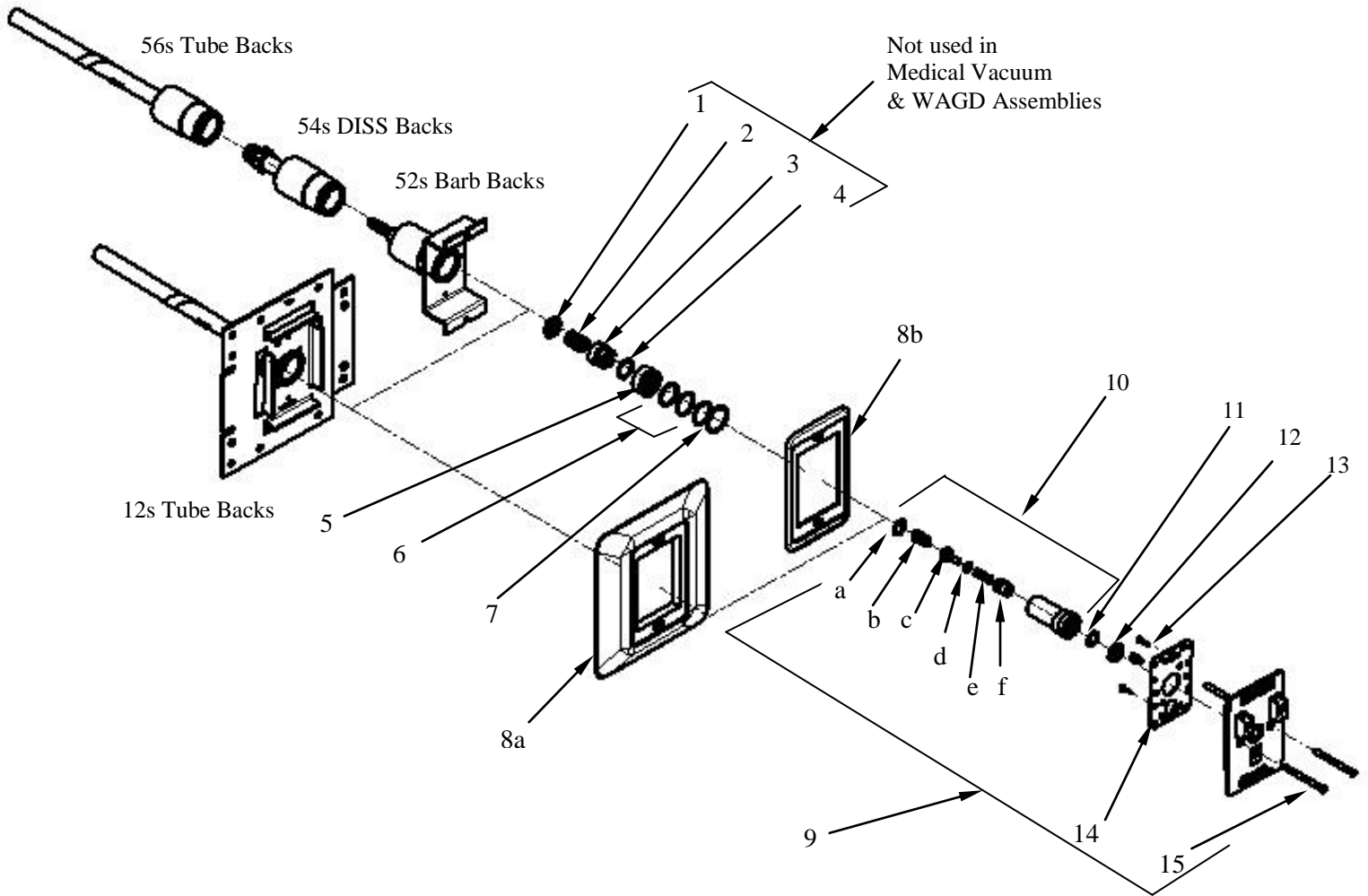


**180 Degree ALLIED STYLE OUTLETS – XA SERIES**

Allied Style Compatible

Oxygen Outlet Shown



Item 9 Includes Items 10 through 15 in the Finishing Kit

---



---

**180 Degree Allied Style Outlets – XA SERIES Bill of Material**


---

Item	Part Number	Description	Quantity	Note
1.	XC1000-7R	Spacer Washer	1	
2.	13-1003R	Spring	1	
3.	XC1000-5R	Poppet	1	
4.	11-0050R	Poppet O-Ring	1	<b>A</b>
5.	XC1000-6R	Insert Sleeve	1	
6.	11-0047R	Sleeve O-Ring	3	<b>B</b>
7.	12-1045R	Retaining Ring	1	
8a.	XC1000-9DCR	Finishing Kit Trim Plate	1	
8b.	XC1000-10R	Trim Plate Cover	1	
9.	See Below	XA Finishing Kit Assemblies	See Below	
10.	See Below ( <i>Ref XC1000-1R</i> )	Front Body Component Kit <i>Front Body (only)</i>	See Below	
11.	11-0005R	Front Body O-Ring	1	<b>C</b>
12.	12-1002R	Plated Washer	1	
13.	12-3084R	Mounting Screws	3	
14.	AQ1000-12R	Indexing Housing Cover	1	
15.	30-0003	Mounting Screw Kit (2) 12-3037	1	

**Item 9 - Outlet Finishing Kits** ( All kits are assembled with Items 10 through 15)

XA1004-A	Nitrous Oxide	1
XA1008-A	Carbon Dioxide	1
XA1016-A	Medical Air	1
XA1022-A	Medical Vacuum	1
XA1024-A	Oxygen	1
XA1032-A	WAGD (Waste Anesthetic Gas Disposal)	1

**Item 10-XA1000-DRK - Front Body Component Kit** ( Kit is assembled with Items a through f)

a.	12-1020R	Retaining Ring	1
b.	13-1006R	Poppet Spring	1
c.	AQ1000-7R	Back Poppet	1
d.	11-0051R	O-ring	1
e.	13-1007R	Spring	1
f.	AQ1000-5R	Poppet	1

**Secondary Valve Kit**

XC1000KR	Secondary Valve Kit for all Gases Except Medical Vacuum & WAGD ( Kit Includes Items 1 through 7 )	1
XC1022KR	Secondary Valve Kit for Medical Vacuum & WAGD ( Kit Includes Items 5 through 7 )	1

**Note:** **A:** Install O-Rings item 4, on Poppet item 3.      **B:** Install O-Rings item 6, onto Insert Sleeve item 5.  
**C:** Install O-Ring item 13, onto Front Body Assembly item 12 and cover with item 14 Washer.