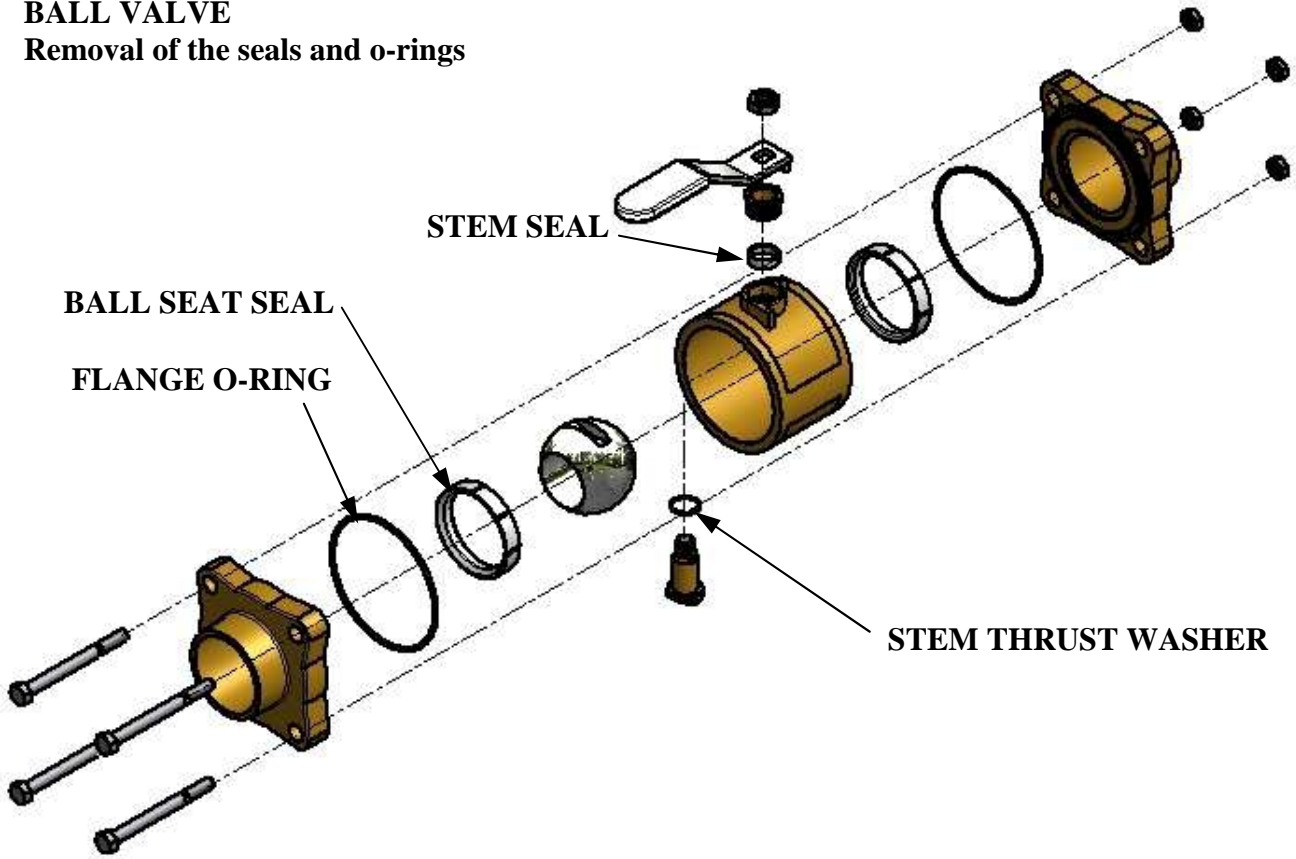


FOR TRI-TECH MODEL NUMBERS:

|         |         |         |         |         |         |         |         |
|---------|---------|---------|---------|---------|---------|---------|---------|
| 1/2"    | 3/4"    | 1"      | 1 1/4"  | 1 1/2"  | 2"      | 2 1/2"  | 3"      |
| 52-02   | 52-03   | 52-04   | 52-05   | 52-06   | 52-07   | 52-08   | 52-09   |
| 52-02LH | 52-03LH | 52-04LH | 52-05LH | 52-06LH | 52-07LH | 52-08LH | 52-09LH |

**BALL VALVE  
Removal of the seals and o-rings**

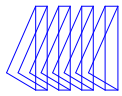


*Figure 1*  
Remove and discarded the warn-out seals and o-rings from Ball Valve.

| Seal Kit Part Number | Valve Size | Seal Kits Includes the Following |
|----------------------|------------|----------------------------------|
| 52-0002S             | 1/2"       |                                  |
| 52-0003S             | 3/4"       | 2 Ball Seat Seals                |
| 52-0004S             | 1"         | 2 Flange O-Rings                 |
| 52-0005S             | 1 1/4"     | 1 Stem Seal                      |
| 52-0006S             | 1 1/2"     | 1 Stem Thrust Washer             |
| 52-0007S             | 2"         |                                  |
| 52-0008S             | 2 1/2"     |                                  |
| 52-0009S             | 3"         |                                  |

**Tools Needed**

- 1- Adjustable Wrench
- M6, M8, M10, M12 and M14 Hex Wrench



FOR TRI-TECH MODEL NUMBERS:

|         |         |         |         |         |         |         |         |
|---------|---------|---------|---------|---------|---------|---------|---------|
| 1/2"    | 3/4"    | 1"      | 1 1/4"  | 1 1/2"  | 2"      | 2 1/2"  | 3"      |
| 52-02   | 52-03   | 52-04   | 52-05   | 52-06   | 52-07   | 52-08   | 52-09   |
| 52-02LH | 52-03LH | 52-04LH | 52-05LH | 52-06LH | 52-07LH | 52-08LH | 52-09LH |

**1 1/2" and 3" BALL VALVES SHOWN**

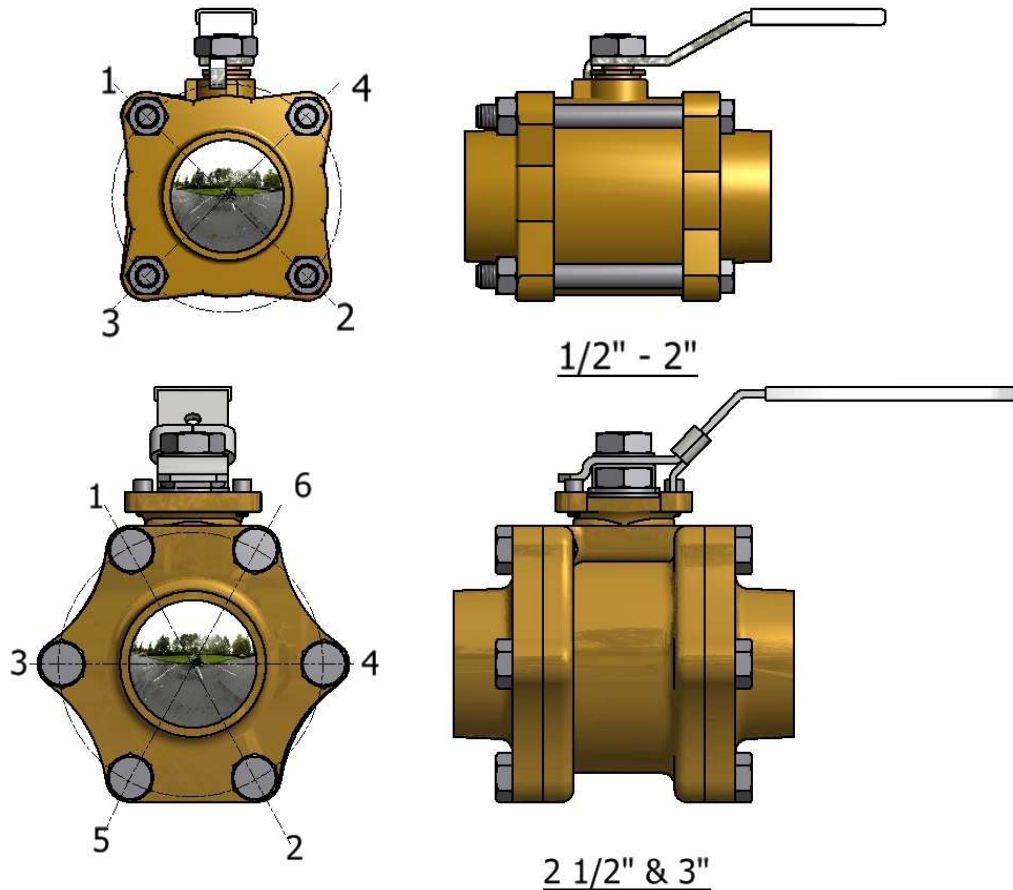


Figure 1

Note: Tighten Bolts in the Numbered Sequence shown above.

| Part No. | Valve Size | Bolt Size  | kgf-cm  | in-lbs  |
|----------|------------|------------|---------|---------|
| 52-02    | 1/2"       | M6 x 1     | 92      | 65      |
| 52-03    | 3/4"       | M8 x 1.25  | 107     | 75      |
| 52-04    | 1"         | M8 x 1.25  | 121     | 85      |
| 52-05    | 1 1/4"     | M10 x 1.5  | 171     | 120     |
| 52-06    | 1 1/2"     | M10 x 1.5  | 185     | 130     |
| 52-07    | 2"         | M12 x 1.75 | 284     | 200     |
| 52-08    | 2 1/2"     | M14 x 2.0  | 355-391 | 250-275 |
| 52-09    | 3"         | M14 x 2.0  | 355-391 | 250-275 |