

Submittal Data Sheet

**Project
Information**

Project Number _____ Approval _____

DESCRIPTION

The Tri-Tech Medical 53-xxL (lug) and 53-xxW (wafer) Series Ductile Iron Butterfly Valves are ideal for use in Industrial and HVAC/Mechanical applications.

FEATURES

- Sizes 2ö through 6ö
- Compatible with ANSI 125# & 150# Flanges
- ISO 5211 Top Plate Allows Choice of Apollo® Pneumatic Actuators and manual operators
- Optional square drive shaft for direct mounting actuators (2ö-6ö)
- Conforms to MSS SP-67 & API 609
- 53-XXL (lug) Series Suitable for End of Line Service to Rated Pressure
- 3ö -6ö meet performance requirements of AWWA C-504
- Pressure rating ö 200 psig



STANDARD MATERIALS

Body Ductile Iron ASTM A536
 Bushings PTFE
 Stem Seal Buna-N
 Shaft 416 SS ASTM A276 Type 416

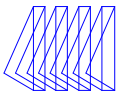
MATERIALS

Body
 Ductile Iron ASTM A536, (65-45-12)
Disc Material
 Aluminum Bronze
Seat Material
 BUNA-N: +10°F to +180°F
Operator - 10 Position Handle

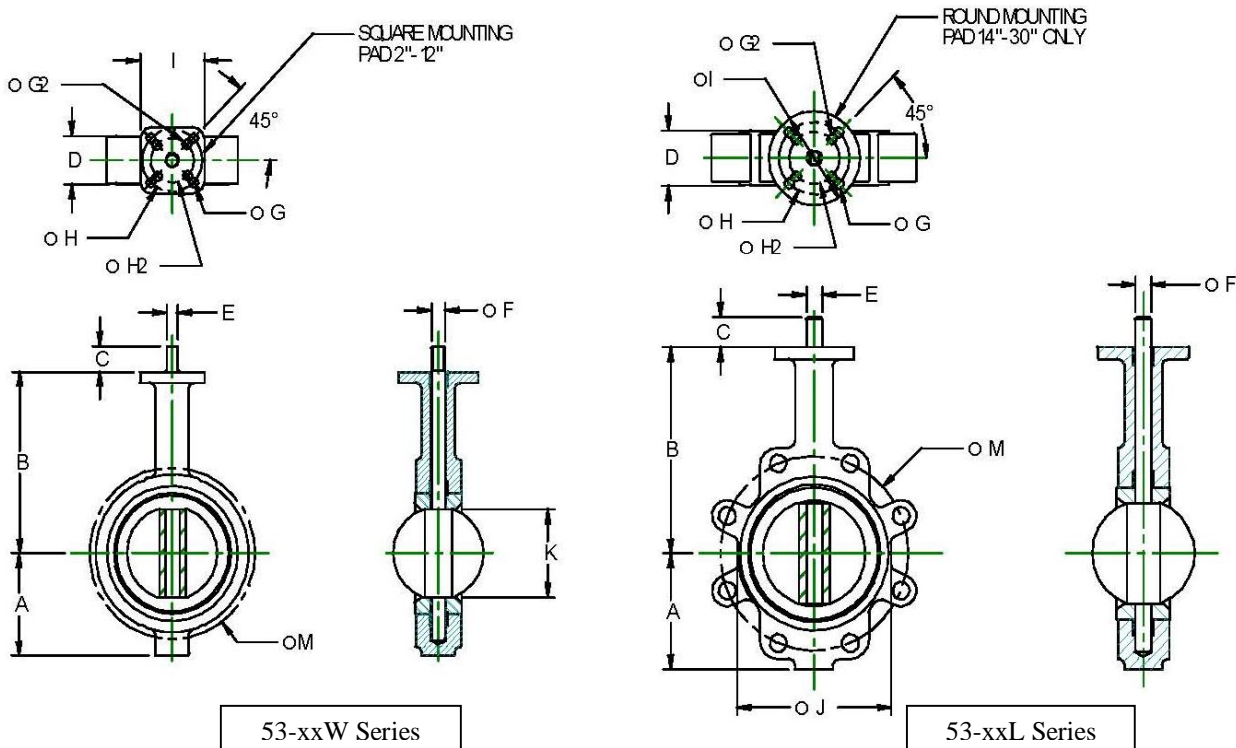
Tri-Tech Part No's		*TORQUE RATING (Inch – lbs)						Cv Full Open
		Valve Size		Full Rated Pressures (psi)				
Lug	Wafer	IN.	MM	ΔP 50	ΔP 100	ΔP 150	ΔP 200	
53-07L	53-07W	2	50	100	106	111	117	115
53-08L	53-08W	2.5	65	150	163	176	189	196
53-09L	53-09W	3	80	207	220	232	244	302
53-10L	53-10W	4	100	290	323	357	390	600
53-11L	53-11W	5	125	423	481	540	598	1022
53-12L	53-12W	6	150	599	691	783	875	1579

Valve		Weight (lbs.)	
IN.	MM	53-xxW Series	53-xxL Series
2	50	6	9
2.5	65	8	10
3	80	9	11
4	100	11	18
5	125	15	22
6	150	18	26

*Non-lubricating media service



DIMENSIONS



DOUBLE-D AND KEYED STEM

(IN)	(MM)	A	B	C	D	E	ØF	G	G2	KEY	H	H2	I	J	K	L	N (WD141)	M
2	50	3.25	6.375	1.25	1.75	0.394	0.496	0.375	--	--	2.756	--	2.699	4	2.09	1.113	0.688	4.75
2.5	65	3.75	6.880	1.25	1.88	0.394	0.496	0.375	--	--	2.756	--	2.699	4.75	2.54	1.706	0.688	5.50
3	80	4.00	7.130	1.25	1.88	0.394	0.496	0.375	--	--	2.756	--	2.699	5.13	3.09	2.450	0.688	6.00
4	100	4.88	7.880	1.25	2.13	0.472	0.621	0.375	--	--	2.756	--	2.699	6.75	4.09	3.488	0.688	7.50
5	125	5.38	8.380	1.25	2.25	0.551	0.745	0.375	--	--	2.756	--	2.699	7.75	4.85	4.296	0.813	8.50
6	150	5.88	8.880	1.25	2.25	0.551	0.745	0.375	--	--	2.756	--	2.699	8.63	6.13	5.697	0.813	9.50
8	200	7.13	10.250	1.75	2.50	0.669	0.870	0.563	0.438	--	4.921	4.015	4.606	10.56	7.89	7.468	0.813	11.75
10	250	8.25	11.500	1.88	2.75	0.866	1.120	0.563	0.438	--	4.921	4.015	4.606	13.06	9.89	9.484	0.938	14.25
12	300	9.75	13.250	1.88	3.13	0.866	1.244	0.563	--	--	4.921	--	4.606	16	11.89	11.456	0.938	17.00