

Converting a Medaes, Hill Rom or Ohmeda Gas Control Panel
**37 Degree JIC Female Flare 3/8 Nom Risers, 45 Degree SAE Male Flare 5/16 Nom Risers or
3/8" Nom Tube Compression**

Figure 1
Removal of existing components

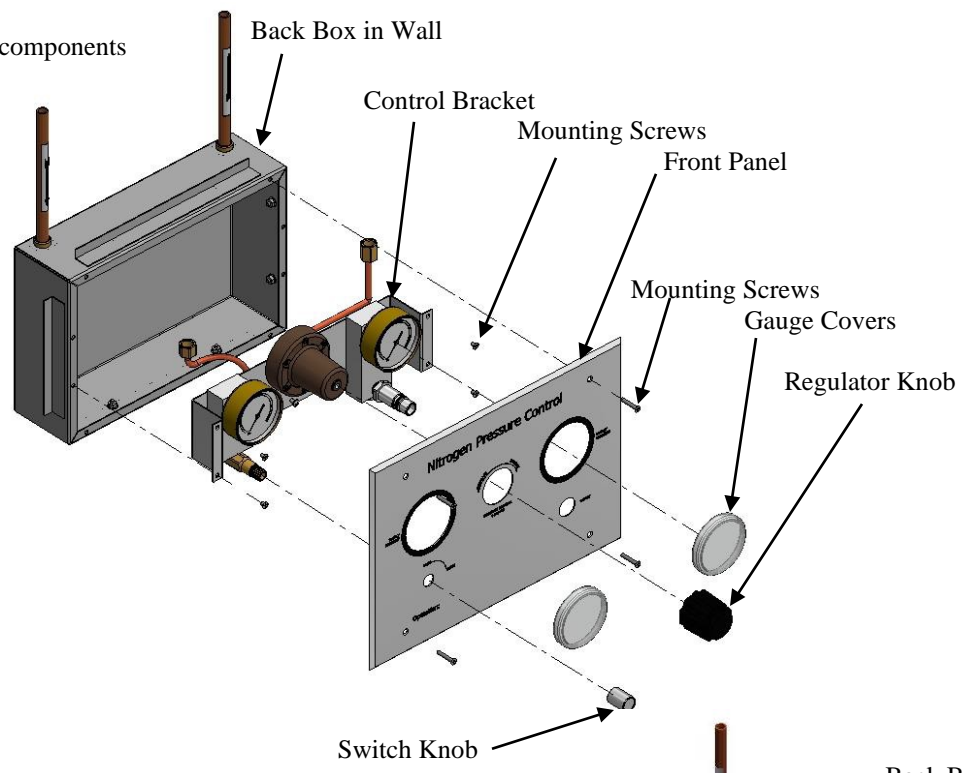
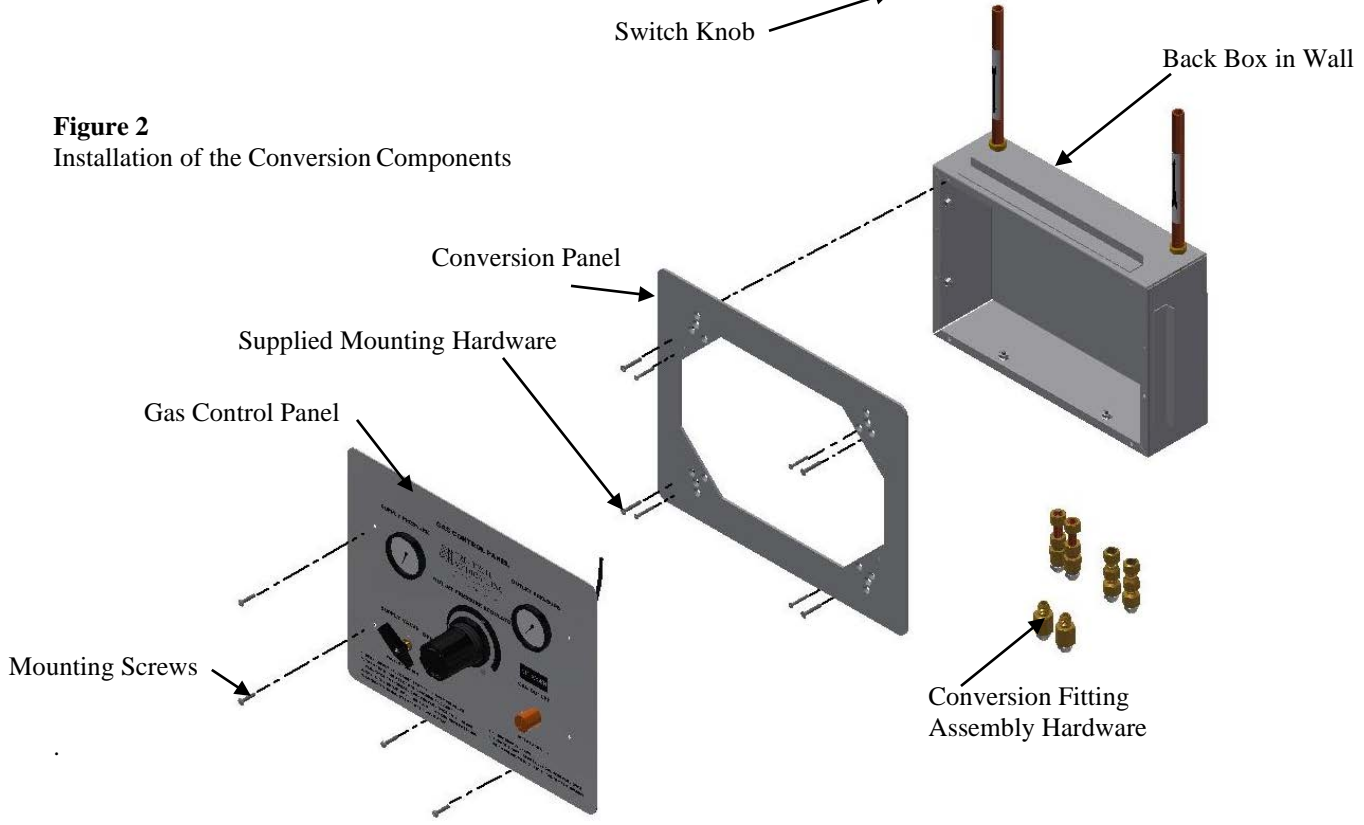
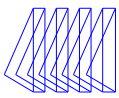


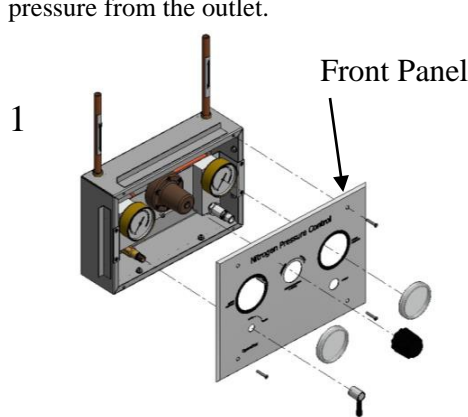
Figure 2
Installation of the Conversion Components



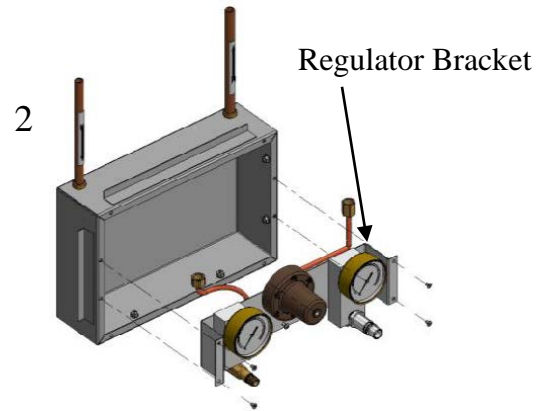


Gas Control Medaes, Hill Rom or Ohmeda Back Box Disassembly:

Close the area Gas supply. Warning: Do not close zone gas supply until all personnel have been advised of the intended service and all systems requiring medical gas are being supplied from portable or alternate supplies. Bleed the residual gas pressure from the outlet.

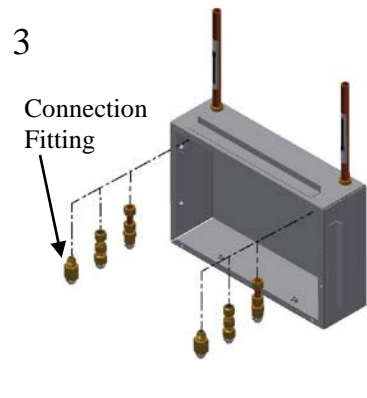


Unscrew and remove the mounting screws from the front panel and the gauge covers, along with the regulator knob and switch knob so that the back box can be revealed.

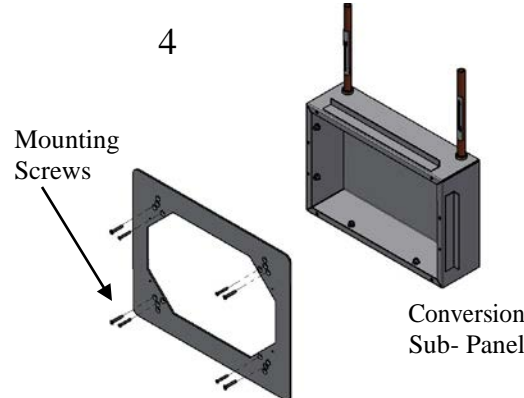


Remove the bracket mounting screws, dropping the bracket. Then loosen the incoming and the outgoing connections from the risers. Now remove the control bracket from the back box

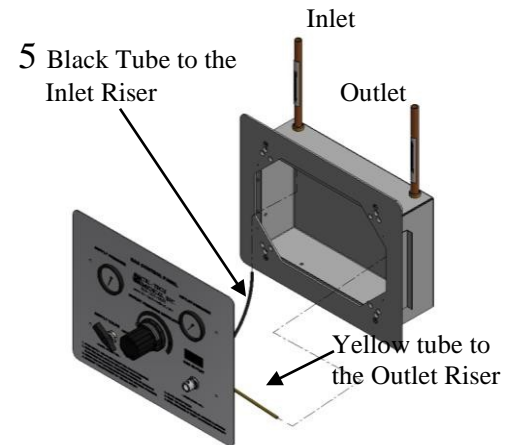
Tri-Tech Medical Conversion Installation Instruction:



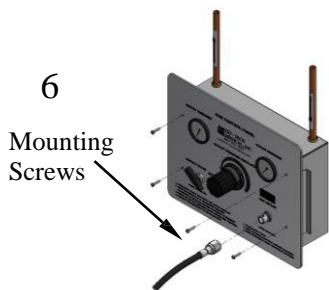
Select the proper brass riser adaptor assemblies that mates to the original supply riser and outlet riser. Tighten the swivel nuts securely.



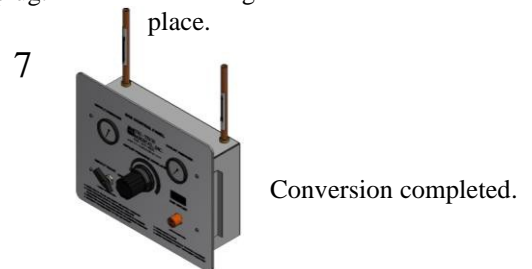
Install the conversion sub-panel to the back box, using the #6 X 1" or #8 x 1" flat head screws lining up the appropriate holes. Screws heads should be flush with panel. If nitrogen is not being supplied downstream, remove yellow outlet tubing from the tee fitting on the front panel, and insert the supplied plastic plug.

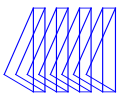


While holding the Control Panel, push the Black tube firmly into the inlet supply line fitting and, if applicable the yellow tube firmly into the Outlet supply line fitting. Pull on the tubing to ensure it is locked in place.



Secure the New Control Panel to the sub-panel with the four short #6 x 5/16" pan head screws. Tighten mounting screws and test in accordance with NFPA Pamphlet 99.





**Converting a Allied/Chemetron Gas Control Panel
5/16 or 3/8 Tube Male Compression Fitting on Risers**

Figure 1
Removal of existing components

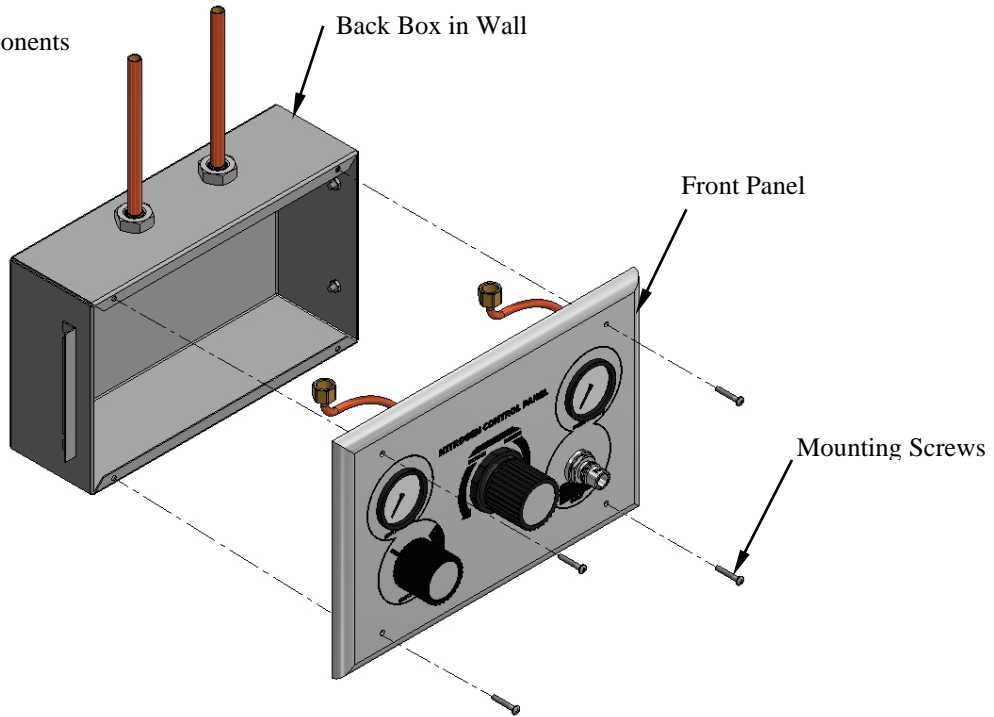
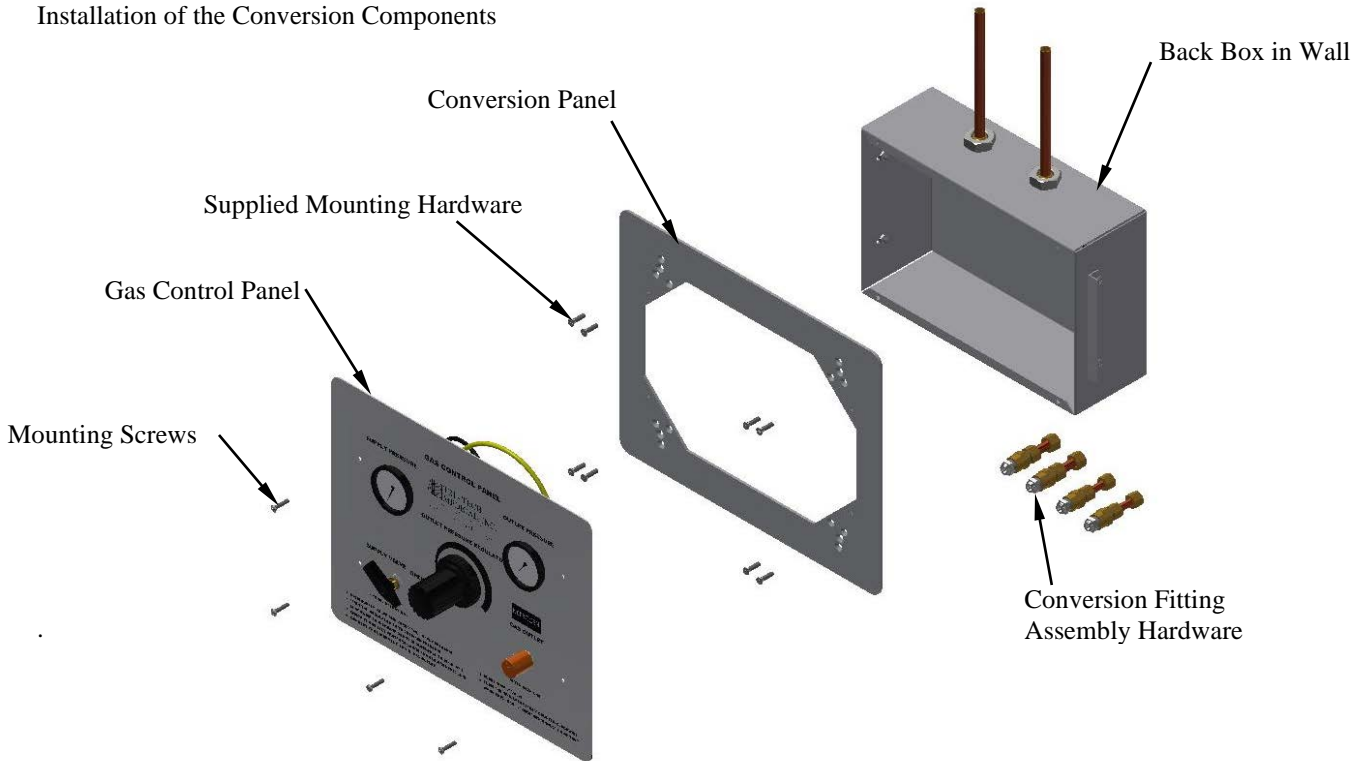
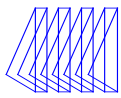


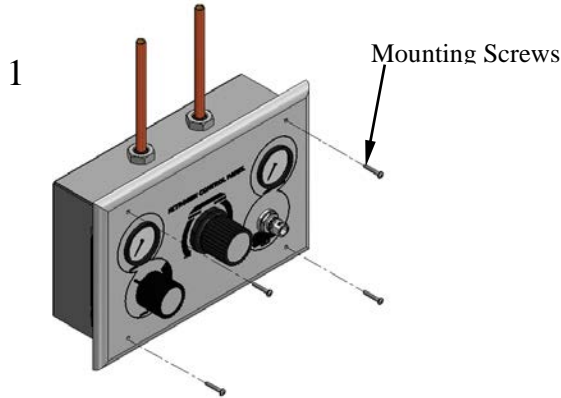
Figure 2
Installation of the Conversion Components



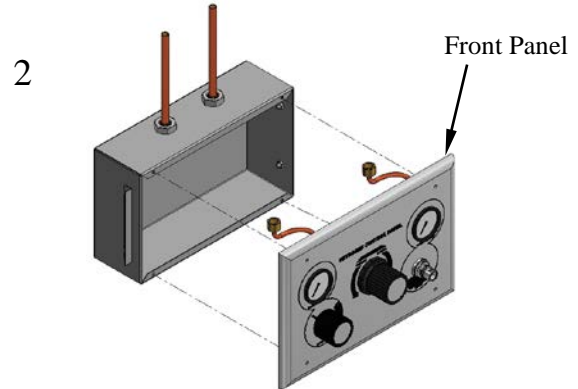


Gas Control Allied/Chemetron Back Box Disassembly:

Close the area Gas supply. Warning: Do not close zone gas supply until all personnel have been advised of the intended service and all systems requiring medical gas are being supplied from portable or alternate supplies. Bleed the residual gas pressure from the outlet.

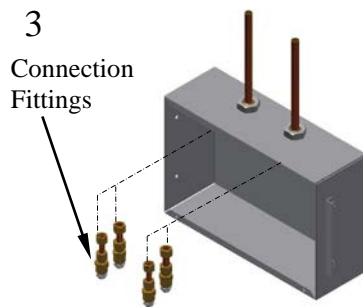


Unscrew and remove the mounting screws from the front panel.

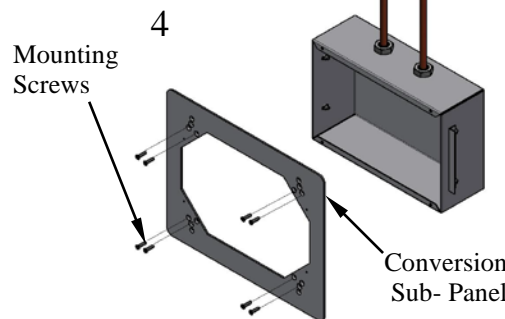


Remove the front panel. Then loosen the incoming and the outgoing connections from the risers. Now remove the control panel from the back box.

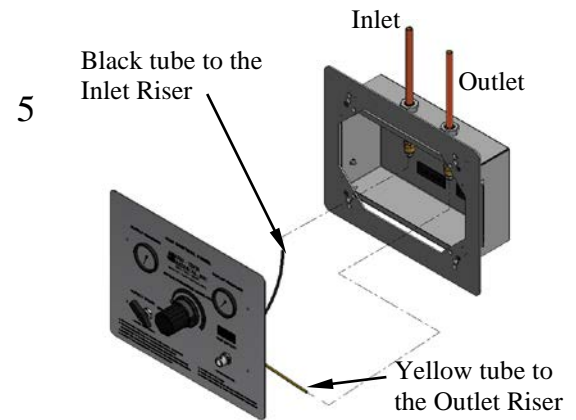
Tri-Tech Medical Conversion Installation Instruction:



Select the proper adaptor compression fitting assemblies that mates to the original supply riser and outlet riser. Tighten the compression nuts securely.



Install the conversion sub-panel to the back box, using the #6 x 1" or #8 x 1" flat head screws lining up the appropriate holes. Screw heads should be flush with sub-panel. If nitrogen is not being supplied downstream, remove yellow outlet tubing from the tee fitting on the front panel, and insert the supplies sub-plastic plug.

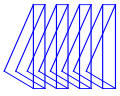


While holding the Control Panel, push the Black tube firmly into the inlet supply line fitting and, if applicable, the yellow tube firmly into the Outlet supply line fitting. Pull on the tubing to ensure it is locked in.



Secure the New Control Panel to the sub-panel with the four short #6 x 5/16" pan head screws. Tighten mounting screws and test in accordance with NFPA Pamphlet 99.





**Converting a Oxequip Gas Control Panel
1/4 OD Plastic Tube Connectors on Risers**

Figure 1
Removal of existing components

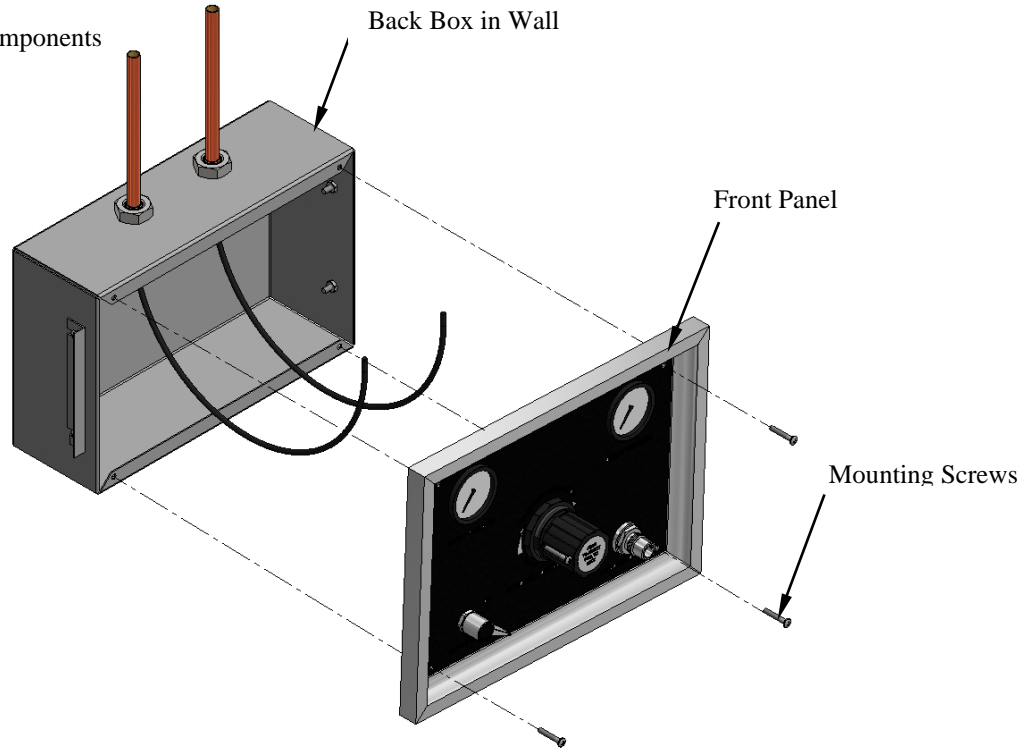
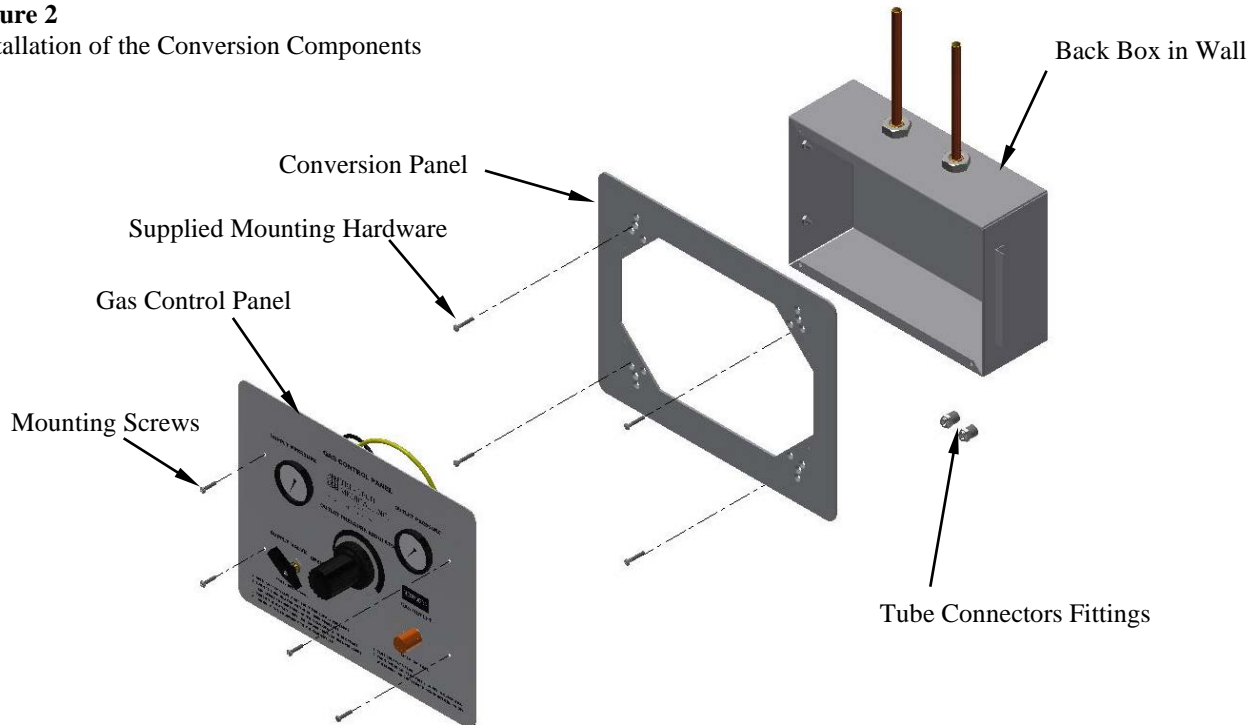
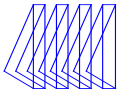


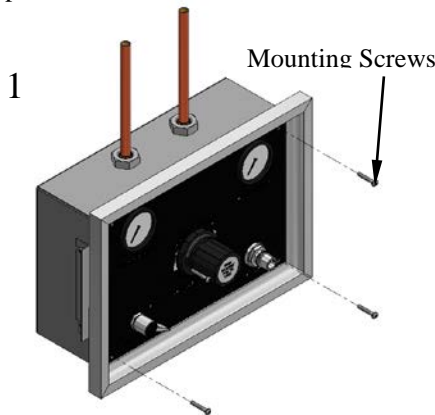
Figure 2
Installation of the Conversion Components



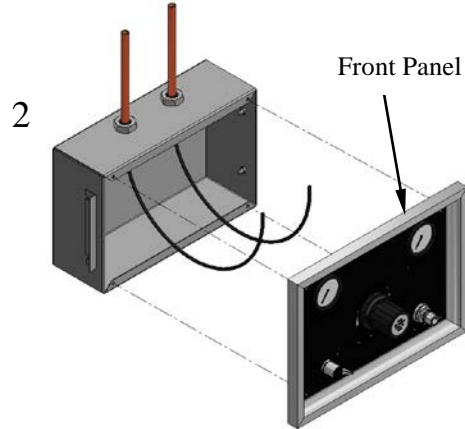


Gas Control Oxequip Back Box Disassembly:

Close the area Gas supply. Warning: Do not close zone gas supply until all personnel have been advised of the intended service and all systems requiring medical gas are being supplied from portable or alternate supplies. Bleed the residual gas pressure from the outlet.

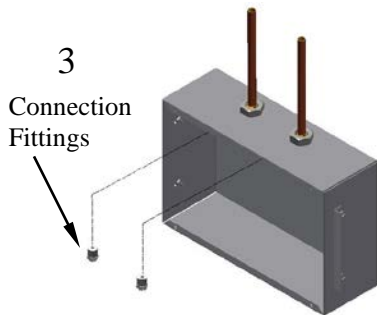


1
Unscrew and remove the mounting screws from the front panel.

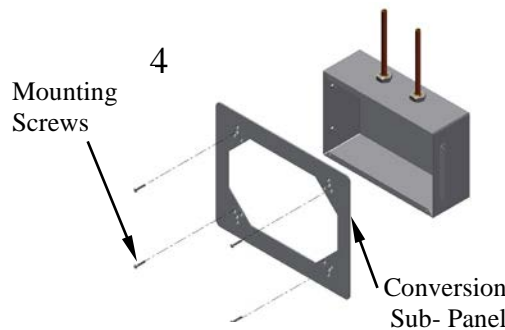


2
Remove the front panel. Then loosen the incoming and the outgoing connections from the risers. Now remove the control panel from the back box.

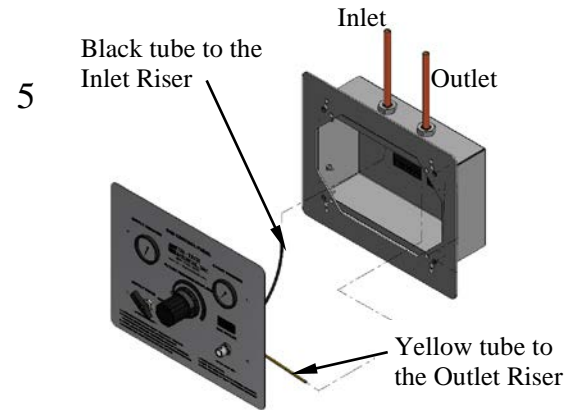
Tri-Tech Medical Conversion Installation Instruction:



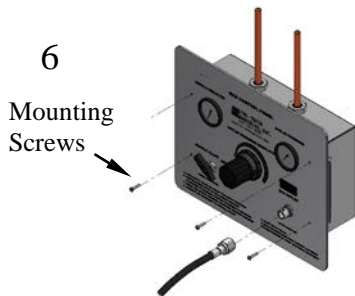
3
Change out the tube connection fittings, in the original supply riser and outlet riser. Tighten the connection fittings securely.



4
Install the conversion sub-panel to the back box, using the #6 X 1" flat head screws lining up the appropriate holes. Screws heads should be flush with panel.
If nitrogen is not being supplied downstream, remove yellow outlet tubing from the tee fitting on the front panel, and insert the supplied plastic plug.



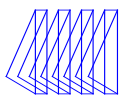
5
While holding the Control Panel, push the Black tube firmly into the inlet supply line fitting and, if applicable the yellow tube firmly into the Outlet supply line fitting. Pull on the tubing to ensure it is locked in place.



6
Secure the New Control Panel to the sub-panel with the four short #6 x 5/16" pan head screws. Tighten mounting screws and test in accordance with NFPA Pamphlet 99.



7
Conversion completed.



**Converting an Ohio Medical (Squire Cogswell) or Amico
Gas Control Panel with 3/8" Female NPT Risers**

Figure 1`
Removal of existing components

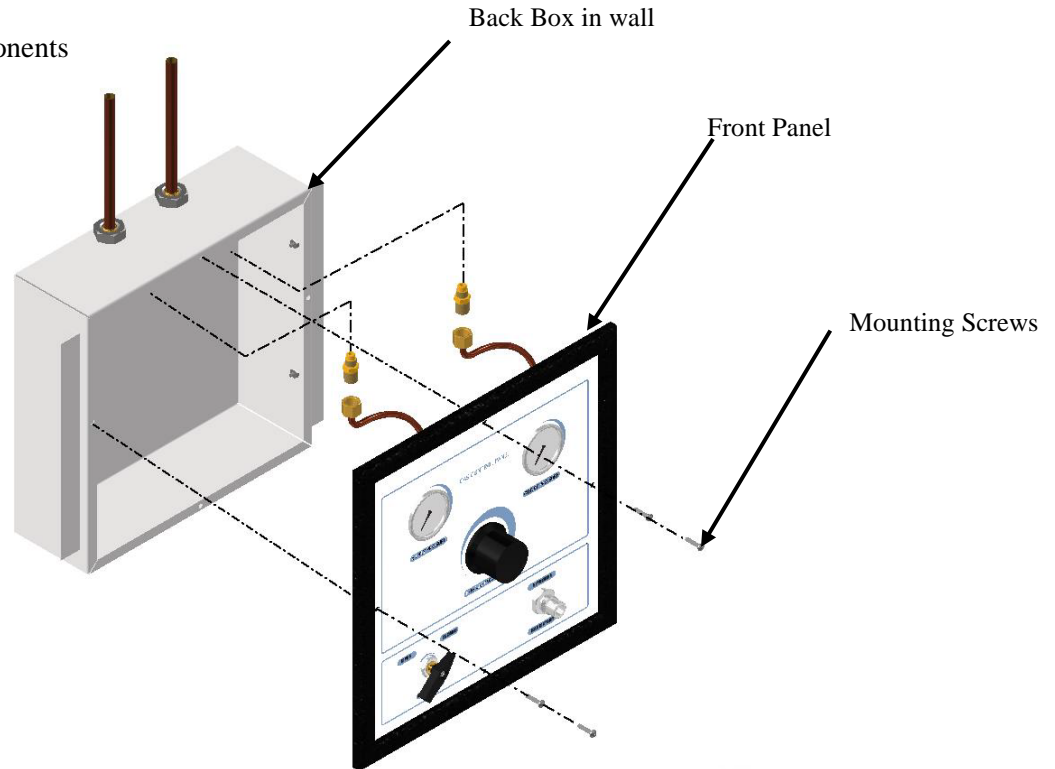
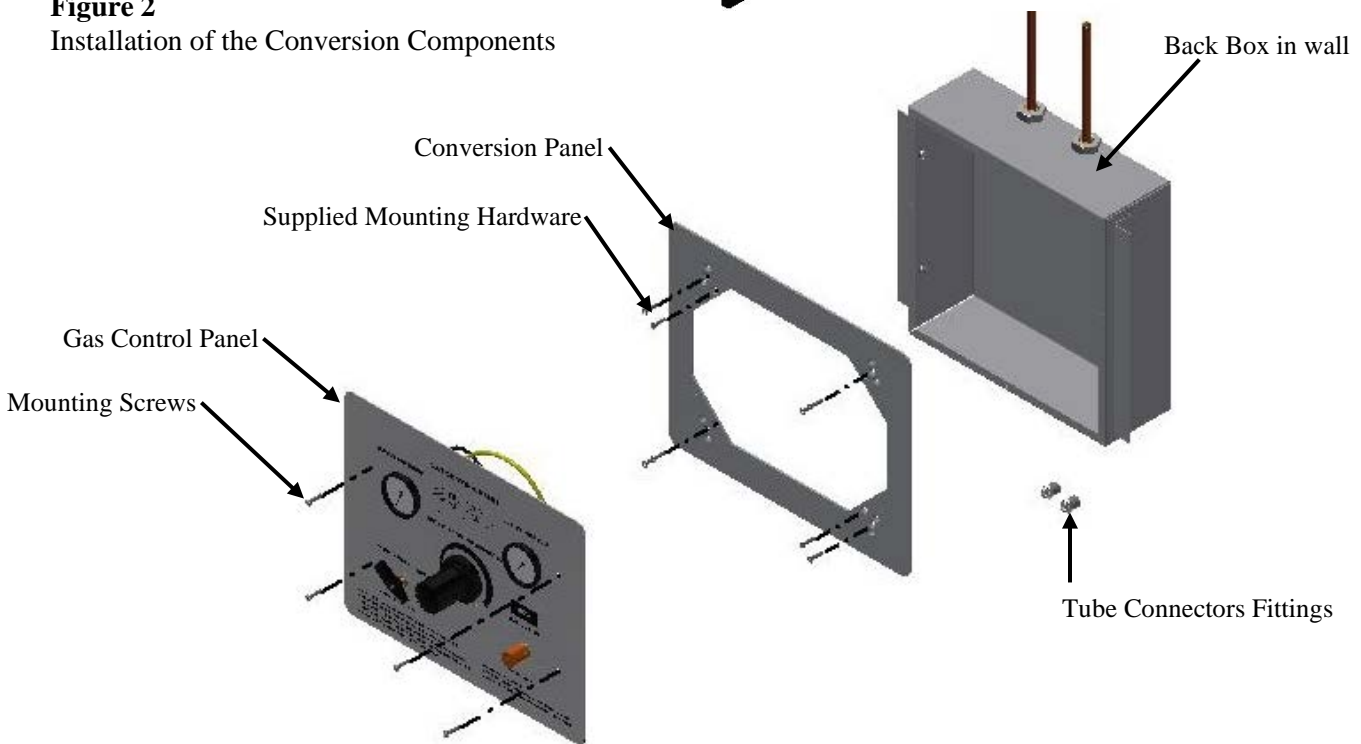
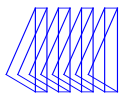


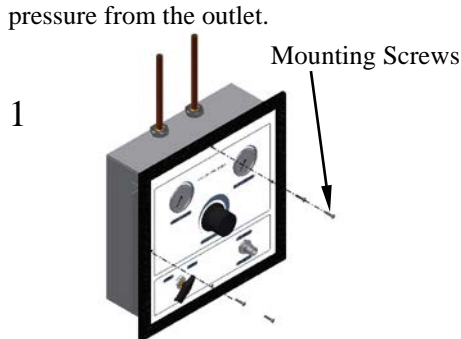
Figure 2
Installation of the Conversion Components



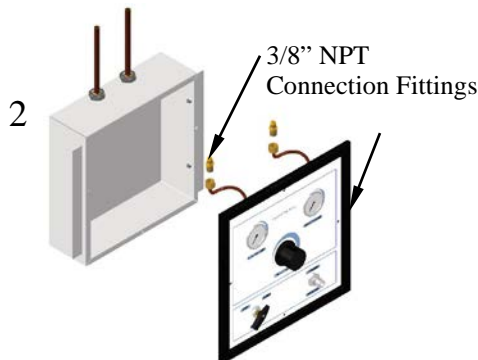


Gas Control Ohio Medical (Squire Cogswell) or Amico Back Box Disassembly:

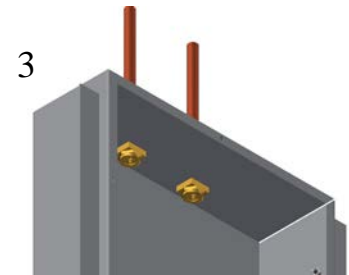
Close the area Gas supply. Warning: Do not close zone gas supply until all personnel have been advised of the intended service and all systems requiring medical gas are being supplied from portable or alternate supplies. Bleed the residual gas pressure from the outlet.



Unscrew and remove the mounting screws from the front control panel.

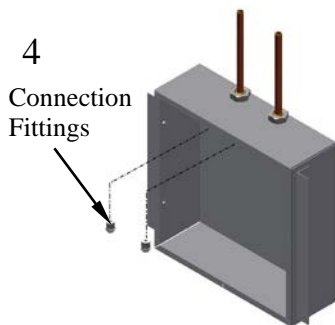


Remove the front panel. Then loosen the incoming and the outgoing 3/8" NPT connections from the risers.

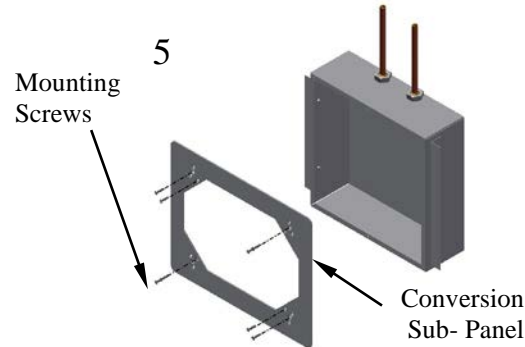


Clean the female 3/8 NPT threads on the risers.

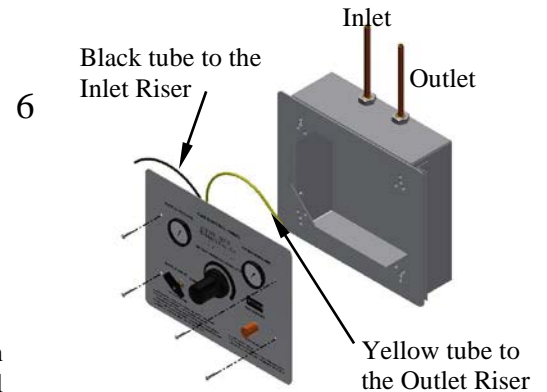
Tri-Tech Medical Conversion Installation Instruction:



Apply Teflon tape or other suitable pipe thread sealing compound to the threads of the two brass adaptors assemblies supplied. Install the two brass adaptors that mate to the original nitrogen supply riser and nitrogen outlet riser. Tighten the pipe thread joint securely.



Install the sub-plate with the large cutout to the original back box using the #6 x 1" or #8 x 1" flat head screws in the appropriate holes. Screw heads should be flush with panel. If nitrogen is not being supplied downstream, remove the yellow outlet tubing from the tee fitting on the front panel, and insert the supplied plastic plug.



While holding the new Nitrogen Control Panel, push the Black Tubing firmly into the Nitrogen supply line fitting and, if applicable, the yellow tubing firmly into the nitrogen outlet line fitting. Pull on the tubing to ensure it is locked in place.



Secure the New Control Panel to the sub-panel with the four short #6 x 5/16" pan head screws. Tighten mounting screws and test in accordance with NFPA Pamphlet 99.

